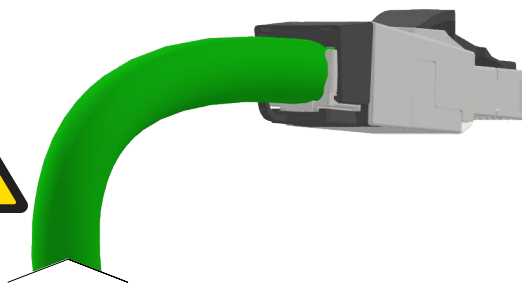


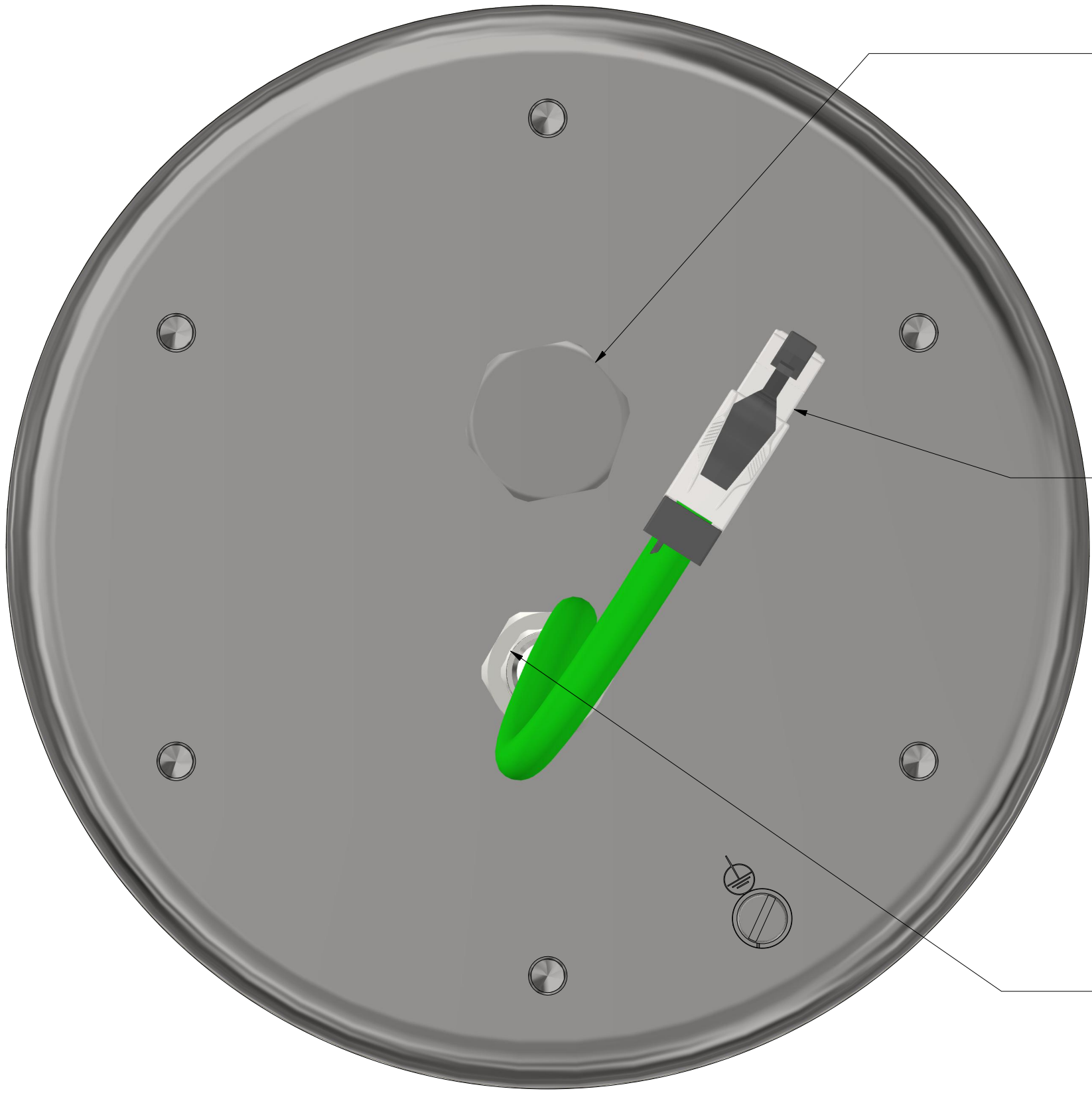
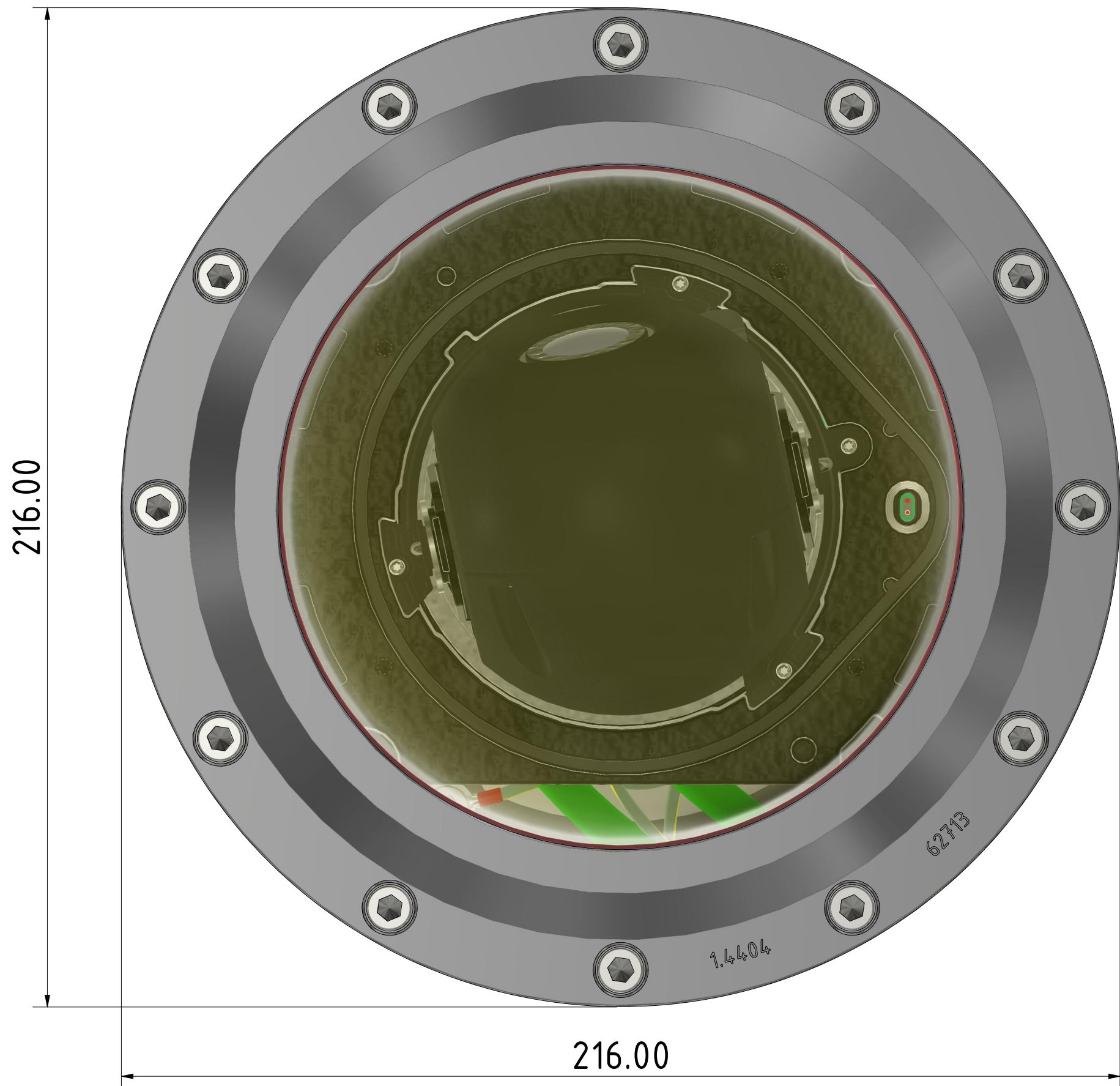
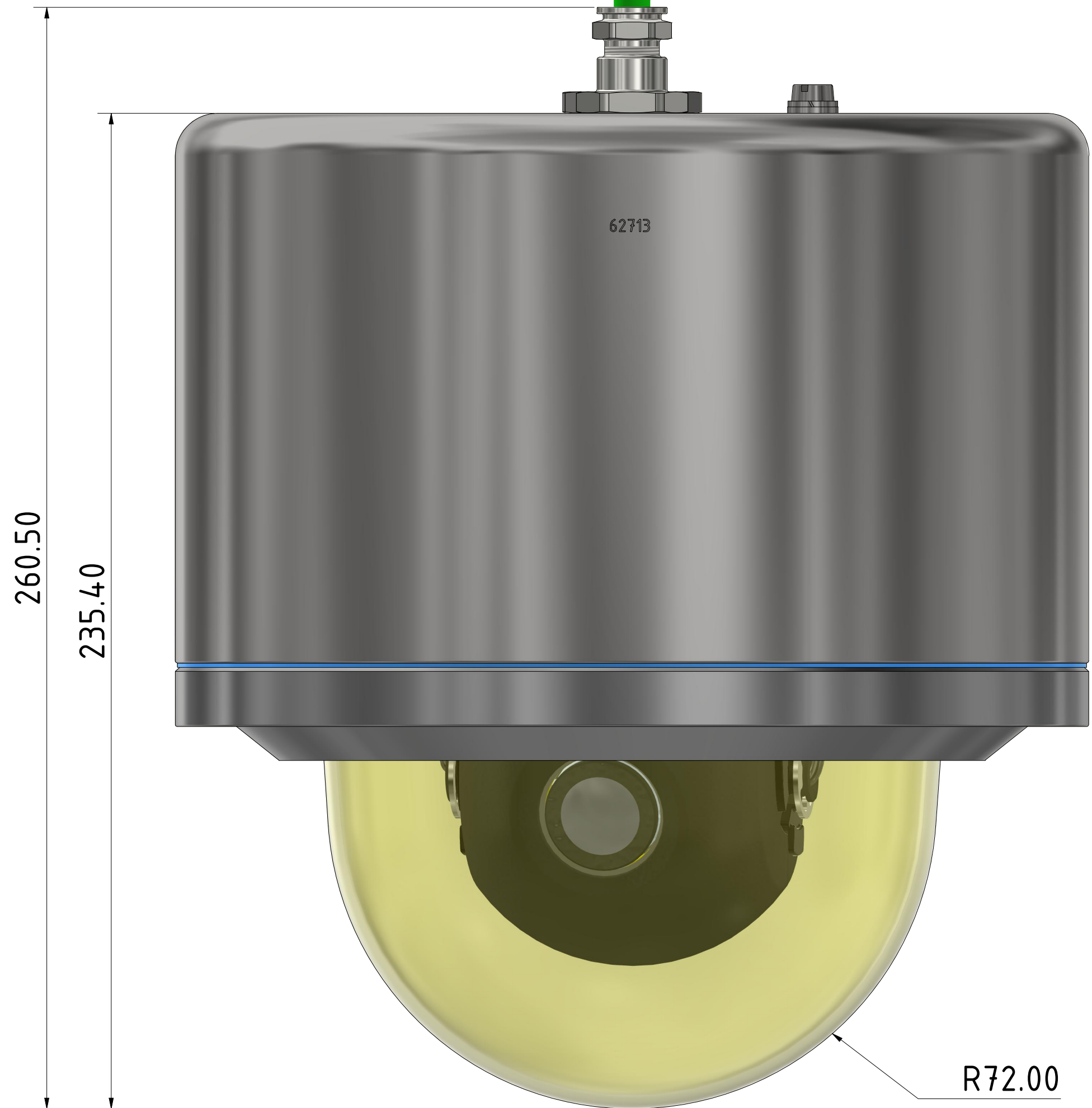
# DRAWINGS EXCAM IPQ3628 (HS.23040163)



CABLE LENGTH: 3m ... 100m  
MIN. BENDING RADIUS: 36mm



SKD02-T SYSTEM CABLE DIGITAL  
EXPLOSION PROOF  $\varnothing 8.9 \pm 0.3$  mm  
PUR FLAME RETARDANT  
4x2xAWG23/1 SHIELDED, CAT.6A  
-60°C ... +80°C



BLIND PLUG NICKEL-PLATED BRASS, M25x1.5, Ex D

RJ45 PLUG INDUSTRIAL DESIGN CAT.6A, EIA-TIA568B NON-EX

CABLE GLAND ADE 1F2 NICKEL-PLATED BRASS, M20x1.5, EX D

DRAWN Thiemo Gruber	21.02.2025		
CHECKED			
QA		TITLE <b>TECHNICAL DRAWING</b> <b>EXCAM IPQ3628</b> HS.23040163	
MFG			
APPROVED		SIZE D	DWG NO 250221-ET08IPQ3628_(23040163)-TECHNISCHE ZEICHNUNG_rev.00
REVISION		SCALE 1	REV 00 SHEET 1 OF 1