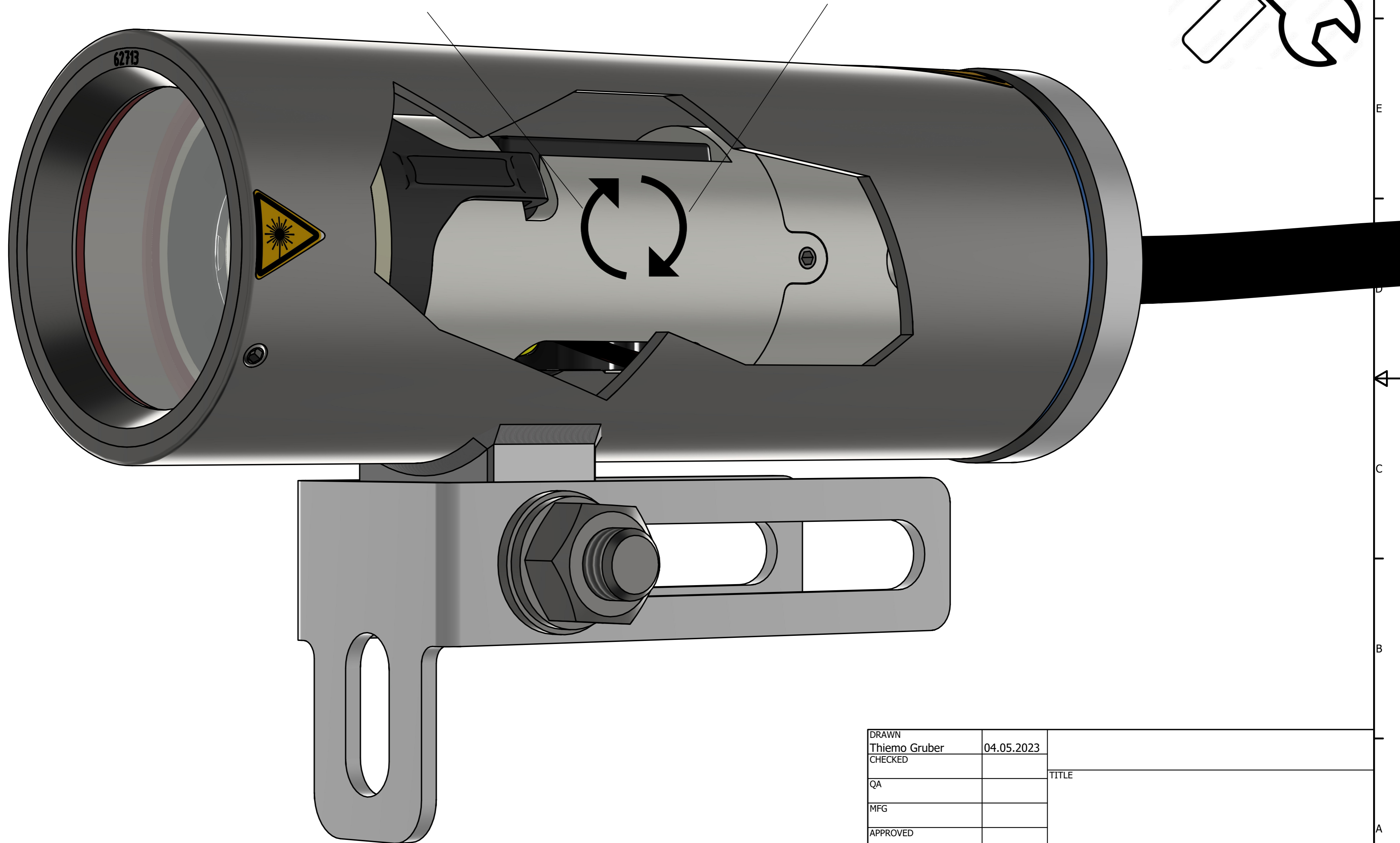
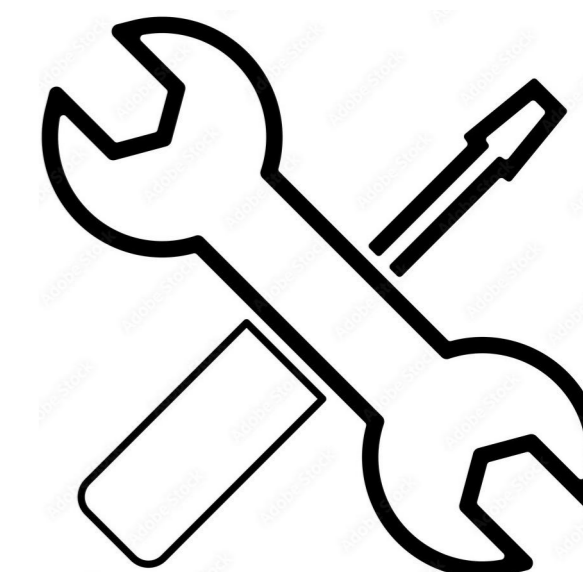
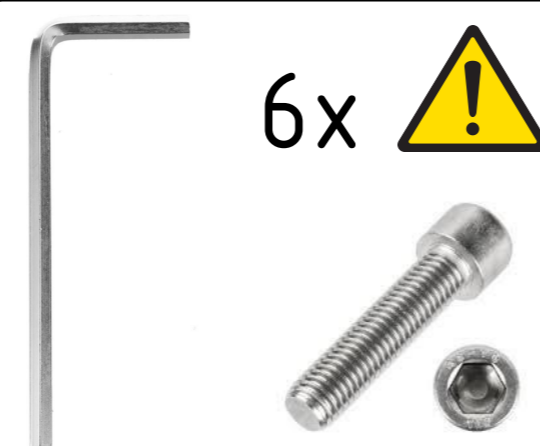
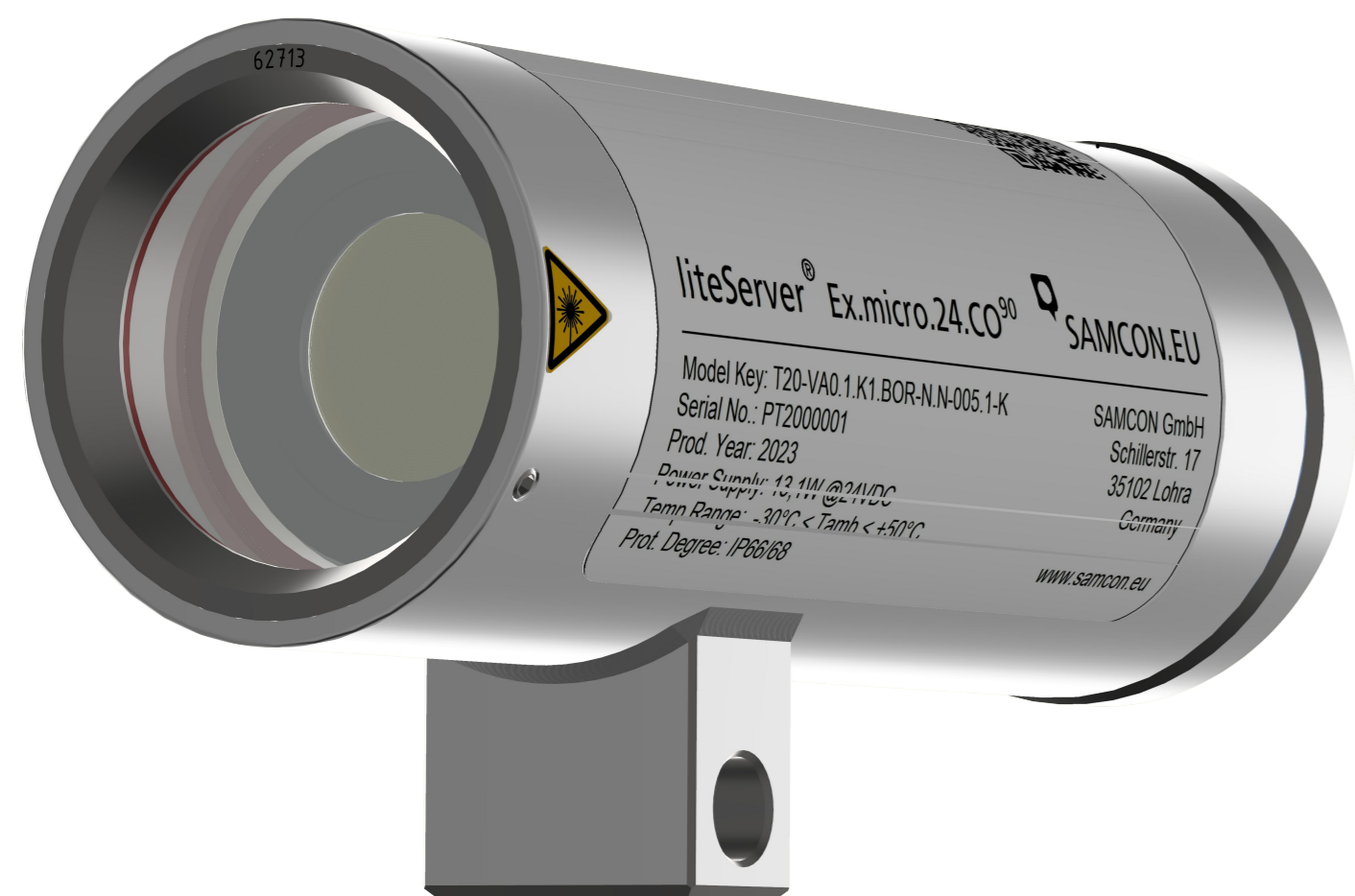
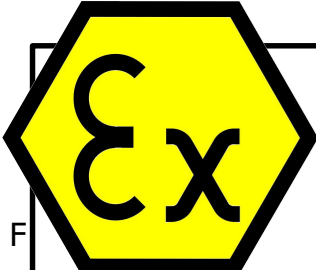


LEDB0x REPLACEMENT



DRAWN	Thiemo Gruber	04.05.2023		
CHECKED			TITLE	
QA				
MFG				
APPROVED				
			SIZE	DWG NO
			A2	230504-TAU-TG-USER MANUAL LEDB0x
			SCALE	EXCHANGE_rev.00
				REV
				SHEET 1 OF 2



6x ALLEN KEY FOR DIN 912 M3x0.5 CYLINDER HEAD SCREWS (SW2.5)



2x ALLEN KEY FOR DIN 914 M3 GRUB SCREWS (SW1.5)

①

Remove the body of the T07-VA0.1 Ex d encapsulation according to "180731-PT08BAU-SS-Ex Installation Manual rev.05.pdf"

②

Remove the grub screws carefully and separate the LED exchange block at the plug contacts

③

Insert the plug of the new LED replacement block into the connection socket of the housing flange. Make sure that the plug contacts and contact surface of the aluminum heat sink are clean and undamaged. Only use new, orig. grub screws included in the scope of delivery for assembly (6mm). Tightening torque is 1.0 Nm! Loctite 243 may be used for screw locking.



1.0Nm



1.2Nm

④

When closing the flameproof enclosure, the instructions in the Ex installation manual must be followed!