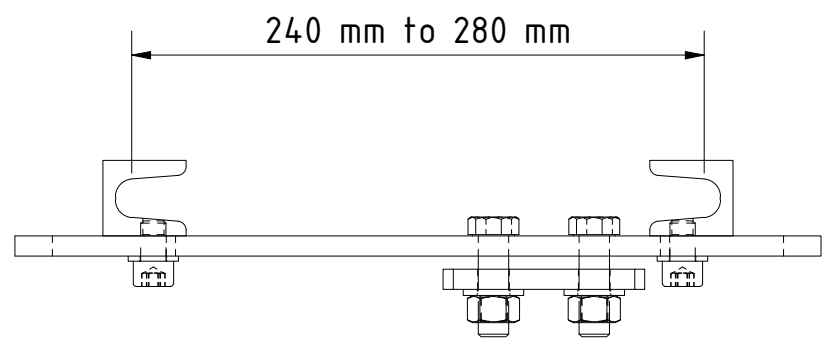


6 5 4 3 2 1

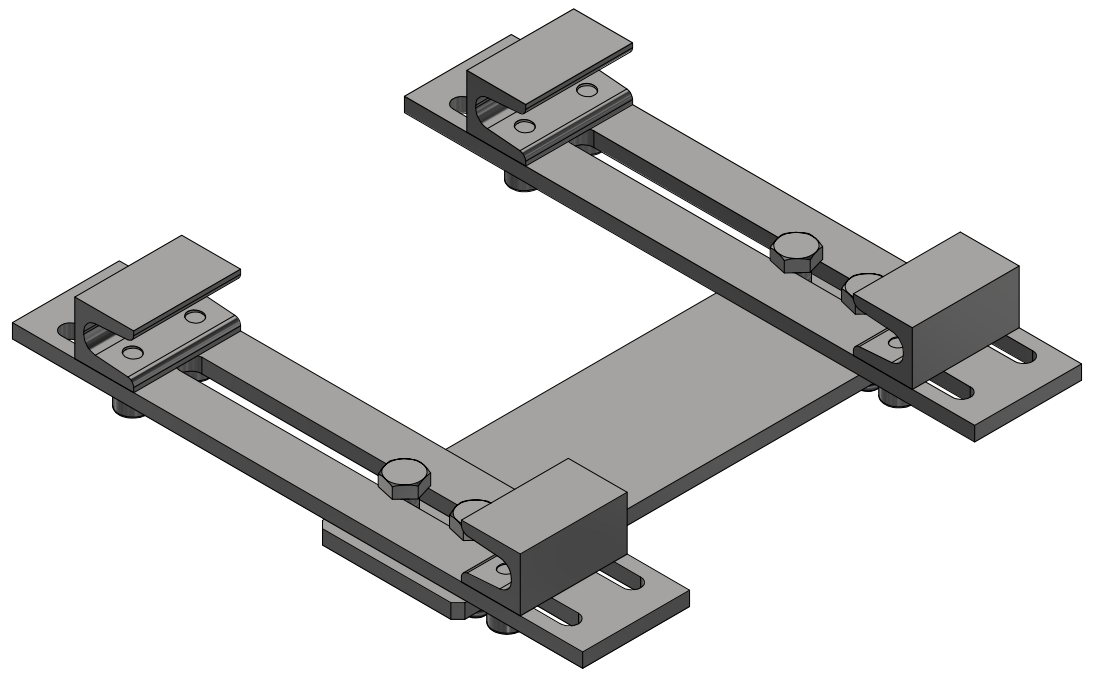
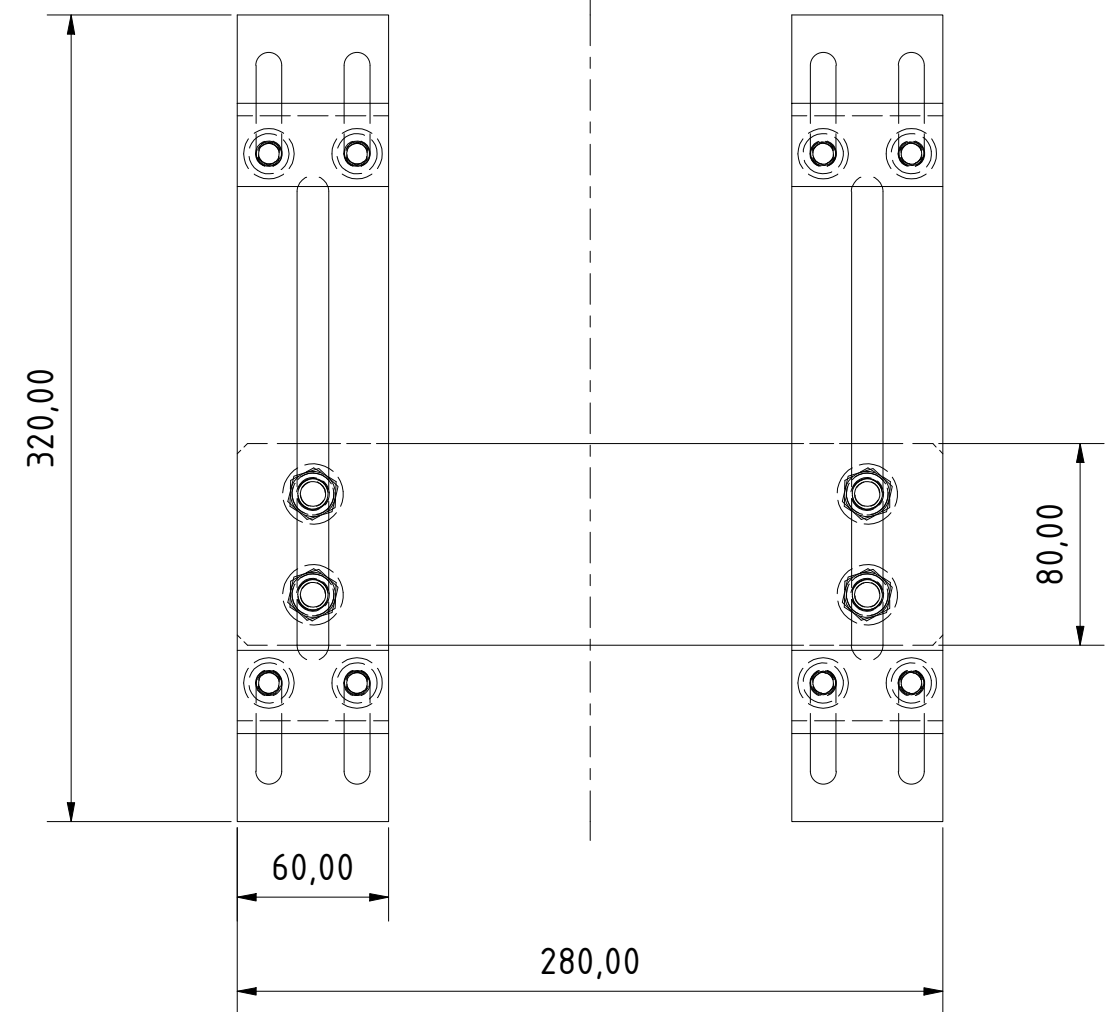
D

D



C

C



B

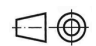

B

A

A

6 5 4 3 2 1

Dimensions in mm!

(Application) IECEX (T0x) Technical drawing for mechanical components suppliers/manufacturers		(all. Deviation) Tolerance class f according to ISO 2768-1 Tolerance class H according to ISO 2768-2	(Surface) Roughness: Ra = 2,0 µm (± 6,3 µm) (ISO 468) DIN EN 60079-1 2004: paragraph 5.2.2)	Scale: 1 : 3 Material: Stainless steel W Nr.(EN 10020): 1.4404 (X2CrNiMo17-12-1), AISI 316L (V4A) Materialnumber: (Component)	Mass: 4,838 kg
		Date Jul03, 2024	Name S.Weber	KLEMM-WMB-VA2.3 Rev.00	
		Checked	Standard ISO 286		
				(Drawing number) Doc.-ID: 240703-TAU-SW-KLEMM-WMB-VA2.3_rev.00.idw	1/1 A3
Status	Changes	Date	Name		