

ExCam® IPP1387



Datasheet.

Features.

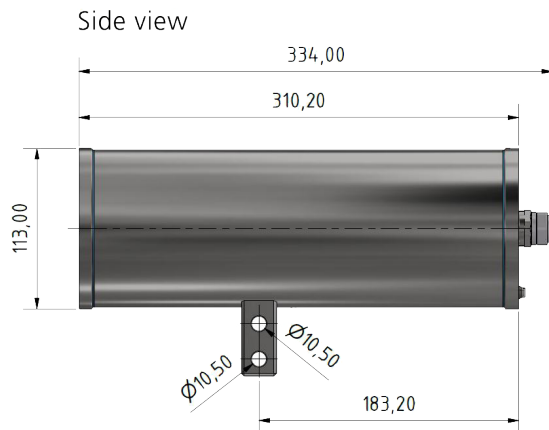
- ✓ Broad Certification Landscape for **Hazardous Areas** (ATEX, IECEx, INMETRO, EAC-Ex and more)
- ✓ **Arctic-Temperature-Control** (-60°C)
- ✓ **Single-Cable-Solution** (PoE / 24VDC)
- ✓ Protection Level of **IP66/68** (IEC 60529)
- ✓ High Resolution: **2592x1944** (5 MP at 25/30 fps)
- ✓ **Powerful Remote-Zoom-Lens (i-CS)**
- ✓ **Deep Learning Analysis Functions**
- ✓ **Lightfinder and WDR** Technologies
- ✓ **Easy VMS Integration**

Zones.

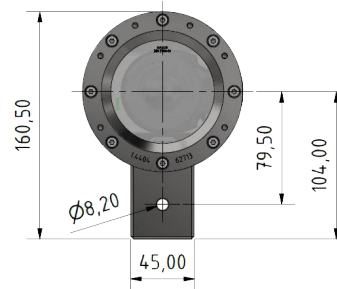
Group II (Gas & Dust)	ATEX / IECEx / ...				
Zone	0	1	2	21	22
For use in	✗	✓	✓	✓	✓

More certificates on request

Dimensions [mm].



Front view



Models.

T08-VA.2.3.K3.BOR2-X.X-XXX.X-X

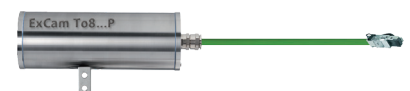
P = Plug RJ45 cable connector (standard)
 T = Terminal box (Ex-e) connection
 N = Non armoured cable (standard)
 A = Armoured cable
 ___ = Cable length (see UM) (005 = standard)
 H = High temp. battery installed ($T_{amb} \leq +60^{\circ}\text{C}$)
 N = Normal temp., no heater installed ($T_{amb} \geq -10^{\circ}\text{C}$)
 LL = Low Low temp., PTC heater installed ($T_{amb} \geq -60^{\circ}\text{C}$)

VA2.3.K3.BOR2 = Camera in stainless steel enclosure 1.4404

T08 = ATEX, IECEx & EAC-Ex camera type No. 08 (TÜV 18...)

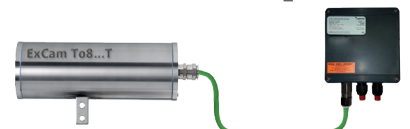
Plug Termination.

T08-VA2.3.K3.BOR2-X.X-XXX.X-P



Terminal Box Termination.

T08-VA2.3.K3.BOR2-X.X-XXX.X-T



Data.



Explosion protection

Declaration of conformity:
Ex- Certificates:



Ex- Marking of the camera:
Explosion protection (gas):
Explosion protection (dust):
Explosion protection (mining):
Ex- Marking of the junction box:
Explosion protection (gas):
Explosion protection (dust):

Mechanical Characteristics

Protection level (Cam/TB):
Weight:

Range of temperature

Type ...N.H:

Type ...LL.H:

Storage conditions:

Camera power supply Heater power supply

Connection cable type

Outside diameter:

Lens

Type:

Field of view:

Minimum illumination:

Camera

Image sensor:

Shutter time:

Videocompression:

Resolution:

Frame rate:

Video streaming:

Image settings:

Pan/Tilt/Zoom:

Edge storage:

Network

Security:

Supported protocols:

System integration

Application Programming Interface:

Analytics Included:

Event triggers:

Event actions:

Data streaming:

Built-in installation aids:

Optional accessories

DIN EN/IEC/GOST... 60079-0/ 1/ 7/ 31
TUEV-18-ATEX-8218X, IECEx-TUR-18.0023X,
INMETRO TUEV 23.0363X, No. TC RU C-DE.HA65.B.01652/22,
TUEV-22-UKEX-7137X, PESO: A/P/HQ/KA/104/5735,
IA No.: MASC MS/18-3256X, OSHA: ML1112007038U1

II 2G Ex db IIC T6 Gb**

II 2D Ex tb IIIC T80°C Db**

I M2 Ex db I Mb***

II 2G Ex eb IIC T5 Gb

II 2D Ex tb IIIC T95°C Db (IP66)

Camera: Stainless Steel (AISI 316L/1.4404), TB: Polyester Resin

IP66/68 / IP66 (IEC/EN 60529)

7.8 kg

-60°C to +60°C

-10°C to +60°C

-60°C to +60°C****(T5)

-40°C to +65°C, non-condensing; (put into operation at T > 0°C)

IEEE 802.3af/802.3at Type 1 Class 3, typical 4.24 W, max 11.73 W

40W@24VDC@-60°C (see user manual)

WWW.SAMCON.EU (A)SKD02-T bzw. (A)SKDP03-T Cat.6 / 4x2xAWG23/1 GN J/W (3G1.5)

8.9mm ± 0.3mm / 15.5mm ± 0.6mm

IR corrected, i-CS-mount lens; 2.8 - 8.5 mm, F1.2

HFoV: 103° - 38°, VFoW: 81° - 28°

Color: 0.1 lux at 50 IRE F1.2, B/W: 0.02 lux at 50 IRE F1.2

1/2.7" progressive scan RGB CMOS

With WDR: 1/66500 s to 2 s

H.264 (MPEG-4 Part 10/AVC) Baseline, Main and High Profiles

H.265 (MPEG-HPart2/HEVC) Main Profile, Motion JPEG

2592x1944 (5MP) to 160x90 (16:9), 2688x1512 (4MP) to 160x90 (16:9),

1280x720 (HDTV 720p) to 160x90 (16:9), 2592x1944 to 160x120 (4:3)

Up to 30/25 fps (60/50 Hz) in all resolutions

Multiple, individually configurable streams in H.264, H.265 and Motion JPEG

Axis Zipstream technology in H.264 and H.265

Controllable frame rate and bandwidth, VBR/ABR/MBR H.264/H.265,

Video streaming indicator

Contrast, brightness, sharpness, white balance, day/night threshold, tone mapping, exposure mode,

exposure zones, defogging, barrel distortion correction, compression, rotation: 0°, 90°, 180°, 270°

including corridor format, mirroring, text and image overlay, dynamic text and image overlay, privacy masks,

polygon privacy mask, target aperture

Remote-Zoom, Remote-Focus and digital PTZ

SD/SDHC/SDXC slot supporting memory card up to 64 GB (card not included);

Support for recording to dedicated network-attached storage (NAS)

Password protection, IP address filtering, HTTPS encryption, digest authentication, user access log

IPv4/v6, HTTP, HTTPS, QoS Layer 3 DiffServ, FTP, SMTP, Bonjour, UPnP, SNMPv1/v2c, v3(MIB-II),

DNS, DynDNS, NTP, RTSP, RTP, TCP, UDP, IGMP, etc...

Open API for software integration, including VAPIX® and AXIS Camera Application Platform;

specifications at www.axis.com; AXIS Video Hosting System (AVHS) with One-Click Connection;

ONVIF® Profile G, ONVIF® Profile M, ONVIF® Profile S and ONVIF® Profile T, specification at onvif.org

Deep Learning Processing Unit (DLPU), AXIS Object Analytics, AXIS Scene Metadata, AXIS Image Health

Analytics, AXIS Live Privacy Shieldc, AXIS Video Motion Detection; Support for AXIS Perimeter Defender,

AXIS License Plate Verifier, AXIS Speed Monitor, AXIS Camera Application Platform enabling installation of

third-party applications, see www.axis.com/acap

Analytics, edge storage events, supervised external input, edge storage events, virtual inputs through API

Pre- and post-alarm video buffering

File upload: FTP, SFTP, HTTP, HTTPS, network share and email

Notification: email, HTTP, HTTPS, TCP and SNMP trap

Event data

Pixel counter

Wall mount bracket, Pole mount bracket, Ceiling mount bracket, Weatherprotectionroof (WPR-VA2.3)

Terminal box ExtB-3, Non-armoured cable kits, Armoured cable kits, ExConnection Rails, ...

* = illustrations show models with accessories that are subjected to an extra charge

** = depending on model (see User Manual)

*** = mining only for variants with armoured cable and plug termination

**** = LL-models downgrade of temperature class to T5

