

ExCam® IPP5655 MKII



Datasheet.

Features.

- ✓ Broad Certification Landscape for Hazardous Areas (ATEX, IECEx, INMETRO, EAC-Ex and more)
- ✓ High Resolution: 1920x1080 (HDTV 1080p)
- ✓ Powerful Motor Zoom (32x Optical)
- ✓ Dome with Optimized UV and Scratch Resistance
- ✓ One-Cable-Wiring (PoE+) IEEE 802.3at
- ✓ Equipped with Lightfinder and Forensic WDR
- ✓ Endless and very fast and precise PAN Drive (0.1° – 350°/s)
- ✓ Very fast and precise TILT Drive (0.1° – 350°/s)



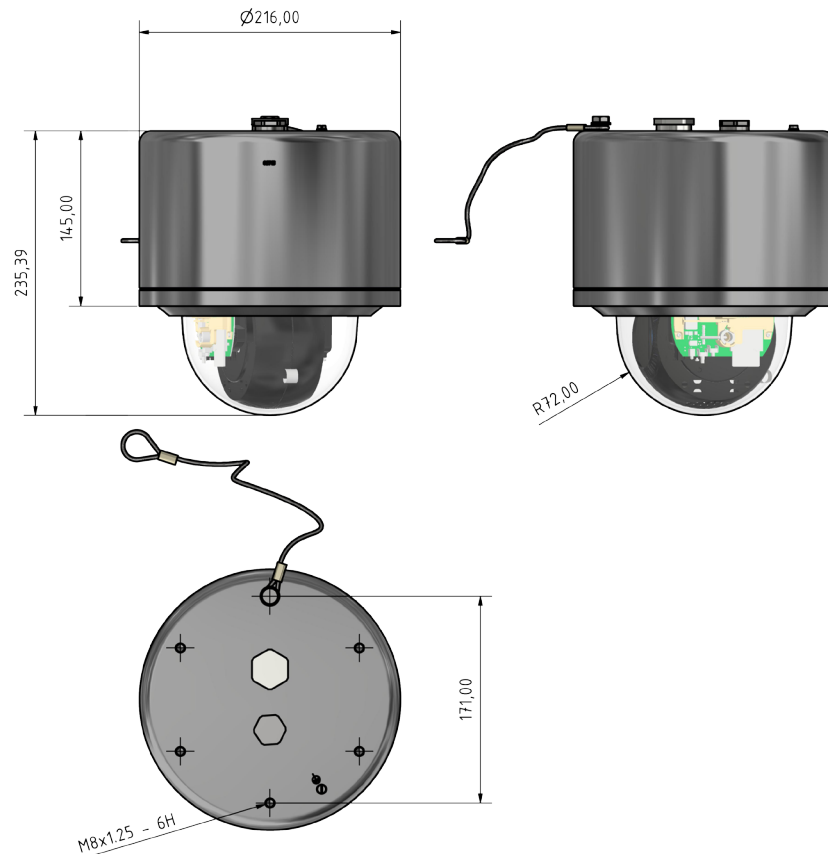
Zones.

Group II (Gas & Dust)	ATEX / IECEx / ...				
Zone	0	1	2	21	22
For use in	✗	✓	✓	✓	✓

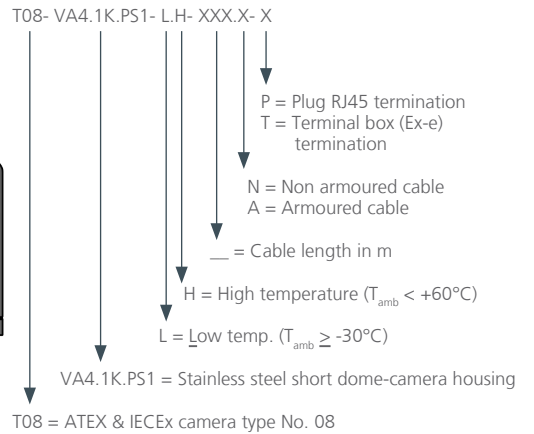
Further certifications upon request.

Dimensions [mm].

T08 - VA4.1K.PS1 - L.H - 005.X - X



Models.



Data.

ExCam® IPP5655 MKII



Explosion protection
Declaration of conformity:



Ex- Certificates:



Ex-Marking of the camera
Explosion protection (gas):
Explosion protection (dust):



Ex- Marking of the junction box:
Explosion protection (gas):
Explosion protection (dust):



Mechanical characteristics

Housing material:
Protection level (CAM/TB):
Weight:



Range of temperature
Storage temperature:



Electrical characteristics
Power supply of the camera:



Connection cable type
Outside diameter:



Lens

Type:
Horizontal angle of view:
Minimum illumination:



Camera

Image sensor:
Shutter time:
Video compression:



Resolutions:
Frame rate:
Pan/Tilt/Zoom:

Video streaming:

Image settings:



Network

Security:




Supported protocols:

Application Programming Interface:


Alarm events:

Optional accessories:

DIN EN/IEC/GOST ... 60079-0, DIN EN/IEC/GOST ... 60079-1,
DIN EN/IEC/GOST ... 60079-7, DIN EN/IEC/GOST ... 60079-31
TUEV-18-ATEX-8218X, IECEx-TUR-18.0023X,
INMETRO TUEV 23.0363X, No. TC RU C-DE.HA65.B.01652/22,
TUEV-22-UKEX-7137X, PESO: A/P/HQ/KA/104/5735,
IA No.: MASC MS/18-3256X

 II 2G Ex db IIC T6 Gb

 II 2D Ex tb IIIC T80°C Db

 II 2G Ex eb IIC T5 Gb

 II 2D Ex tb IIIC T95°C Db (IP66)

Camera: Stainless Steel (AISI 316L/1.4404), terminal box: polyester resin
IP68 / IP66 (IEC/EN 60529) / IP66
Approx. 15.3kg

-30°C bis +60°C
-40°C bis +65°C

IEEE 802.3at Type 2 Class 4 (PoE+): Typical 10.5 W, max. 19 W

WWW.SAMCON.EU ... Cat.6 / 4x2xAWG23/1 ...*
8.9 mm - 12.4 mm*

4.3–137.6 mm, F1.4–4.0, Autofocus, Auto-Iris, Automatic day/night
58.3°–2.4° @ 16:9
Color: 0.1 lux at 30 IRE F1.4, B/W: 0.01 lux at 30 IRE F1.4

Progressive scan CMOS 1/2.8"
1/66500s to 2s

H.264 Main and Baseline Profiles (MPEG-4 Part 10/AVC),
H.265 and Motion JPEG

1920x1080 (HDTV 1080p) to 320x180

Up to 60/50 fps (60/50 Hz) in all resolutions

Pan: 360° endless, 0.1°/s–350°/s,

Tilt: 160°@58.3 FoV, 0.1°/s–350°/s

32x Optical zoom and 12x Digital zoom, Total 384x zoom,

256 preset positions, E-flip, Limited guard tour, Control queue,

On-screen directional indicator, Set new pan 0°, Focus window

Multiple, individually configurable streams in H.264,

H.265 and Motion JPEG, Controllable frame rate and bandwidth,

Axis' Zipstream technology in H.264, VBR/MBR H.264

Compression, Color, Brightness, Sharpness, Contrast, Local contrast, White balance,

Exposure control, Exposure zones, Automatic backlight compensation,

Fine tuning of behavior at low light, 120 dB WDR - Forensic Capture, Manual shutter time,

Text and image overlay, 20 individual 3D privacy masks,

Image freeze on PTZ Electronic Image Stabilization

Password protection, IP address filtering, HTTPS* encryption,
digest authentication, user access log

IPv4/v6, HTTP, HTTPS*, QoS Layer 3 DiffServ, FTP, SMTP,
Bonjour, UPnP, SNMPv1/v2c, v3(MIB-II),
DNS, DynDNS, NTP, RTSP, RTP, TCP, UDP, IGMP, etc...

Open API for software integration, including supporting
the ONVIF S specification available at www.onvif.org,

as well as VAPIX® from Axis Communications,
File upload via FTP, HTTP and email notification via email,
HTTP and TCP, Video recording to edge storage

Wall mount bracket, Pole mount bracket, Ceiling mount bracket,
ExConnection Rails, ...

* = depending on model

** = illustration shows model with accessories that are subjected to an extra charge

