
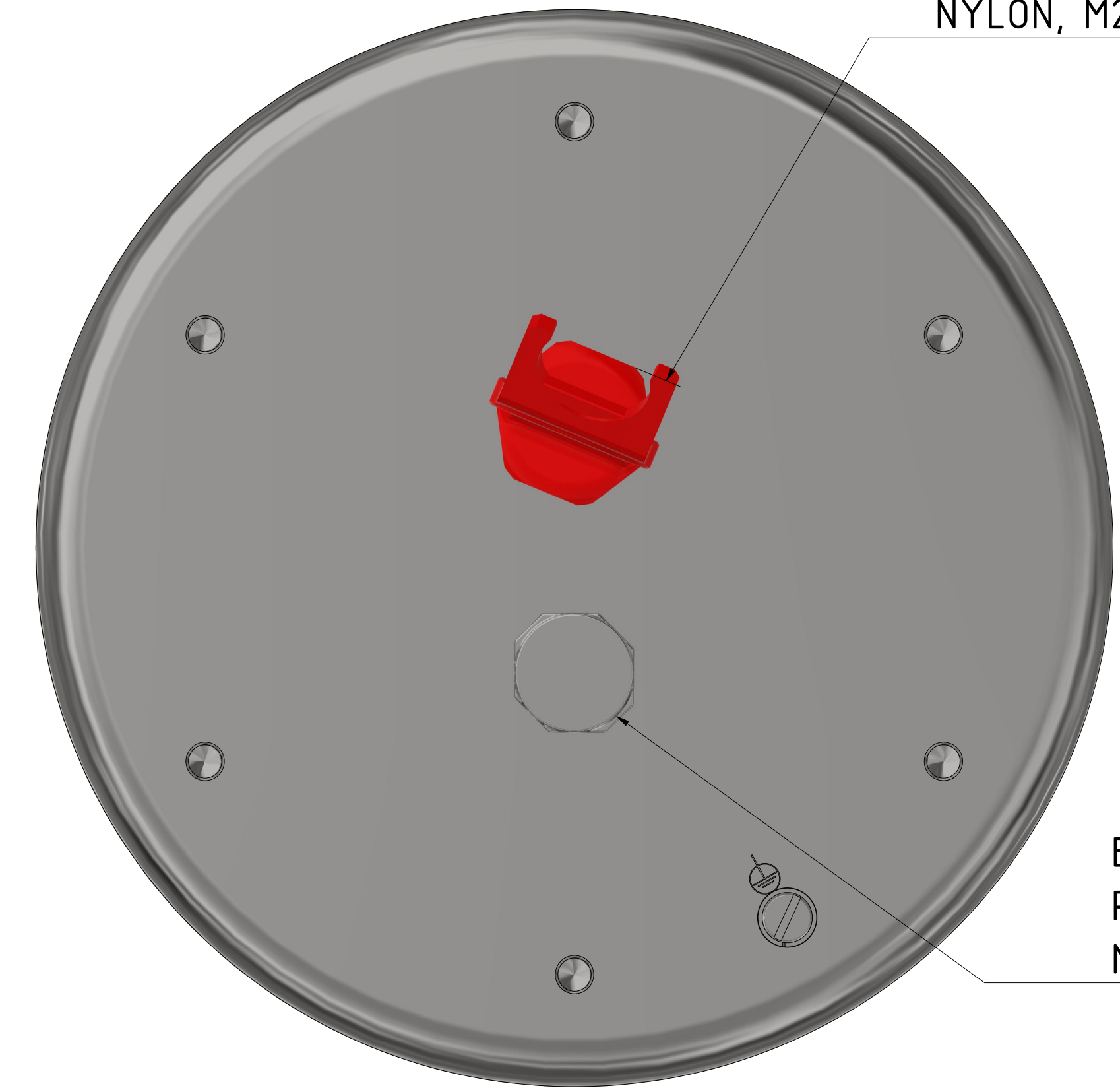
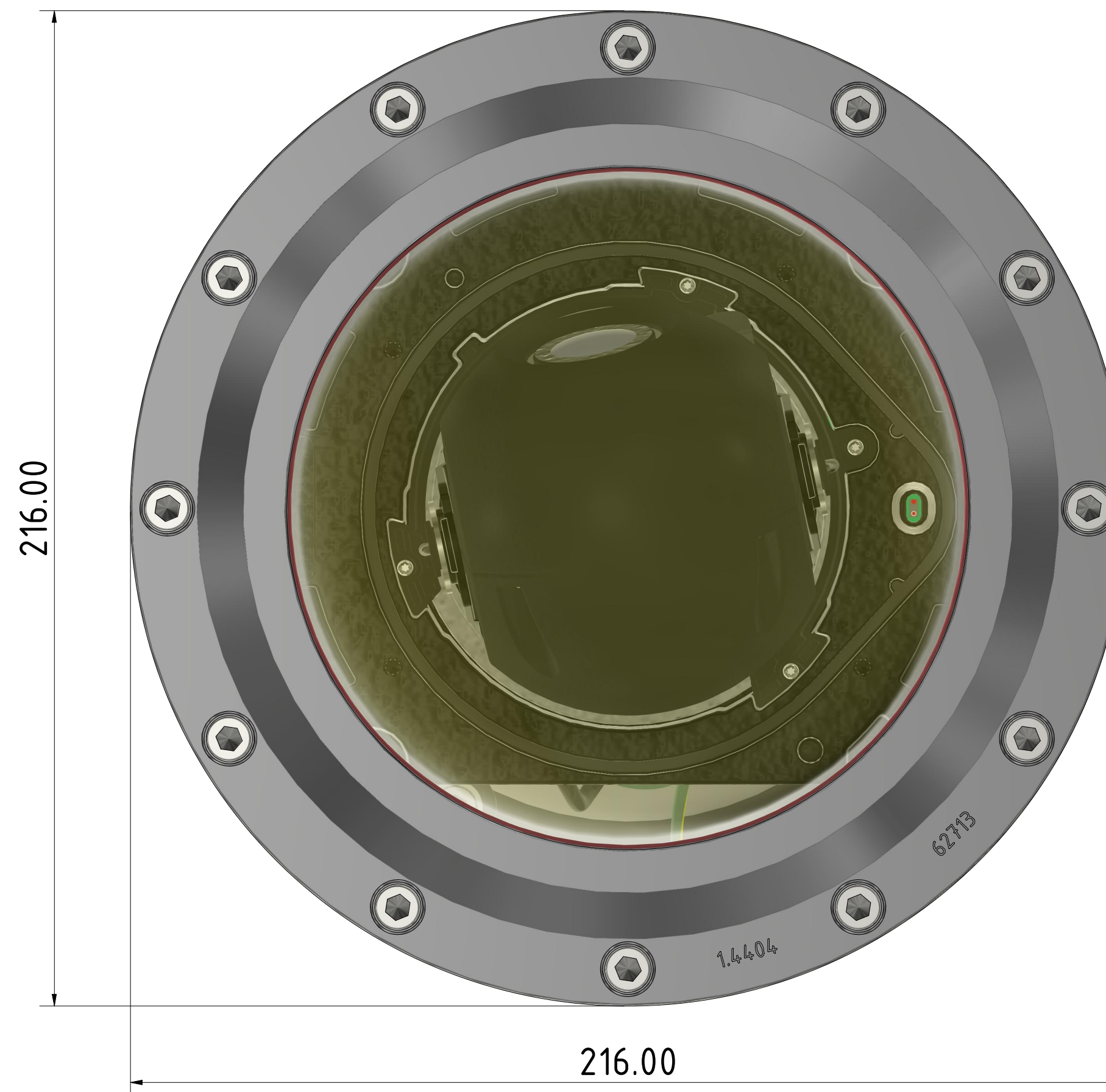
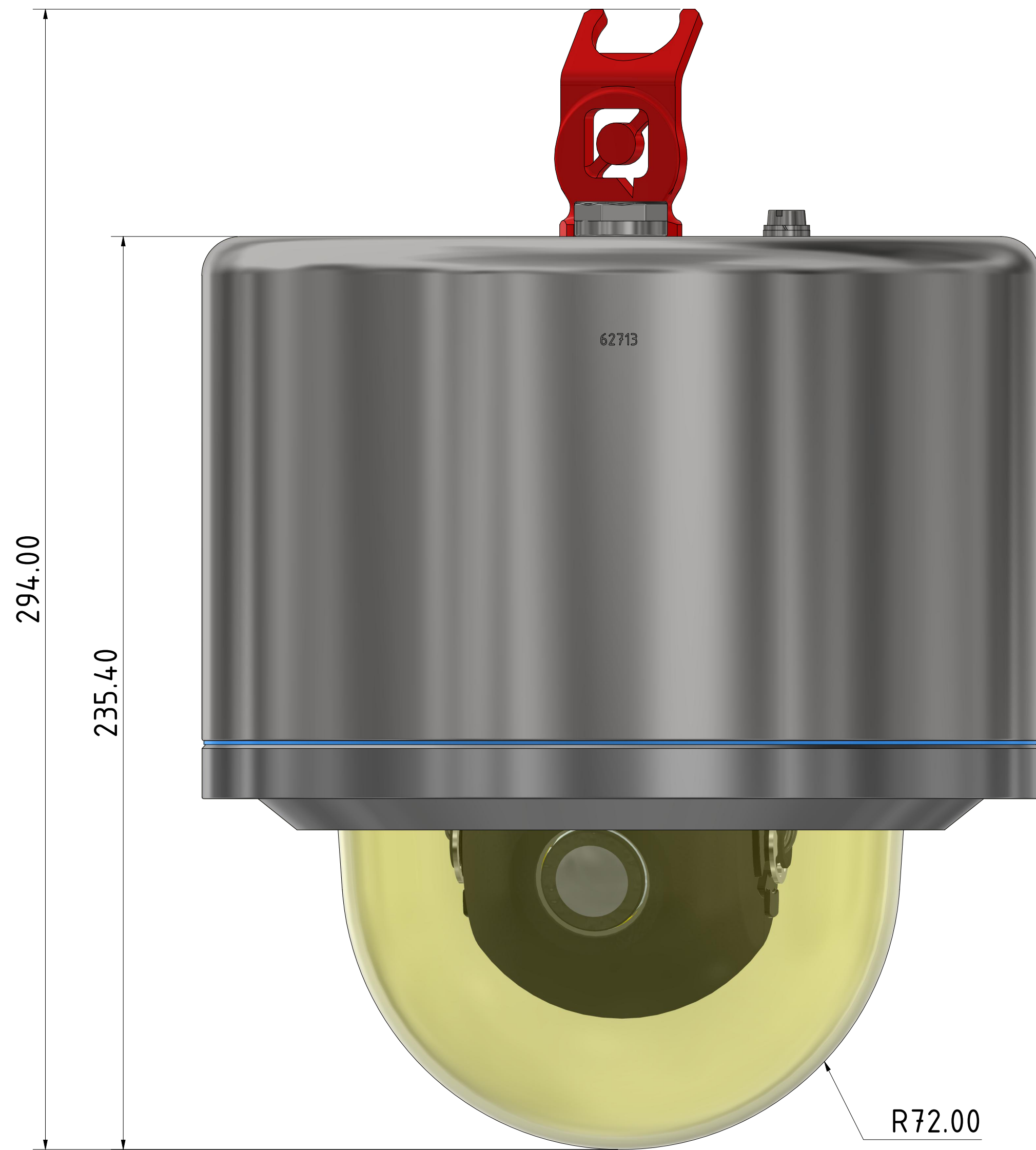





DRAWINGS EXCAM IPQ3628 (HS.23040162)



BLIND PLUG AND ASSEMBLY
TOOL FOR FLIP CONNECT,
NYLON, M25x1.5 NON-EX 



BLIND PLUG NICKEL-
PLATED
BRASS,
M20x1.5, Ex D

DRAWN Thiemo Gruber	21.02.2025	 SAMCON Prozesstechnik GmbH	 13100g
CHECKED			
QA		TITLE	
MFG		TECHNICAL DRAWING	
APPROVED		EXCAM IPQ3628	
		HS.23040162	REV 00
		SIZE D	DWG NO 250221-ET08IPQ3628_(23040162)-TECHNISCHE ZEICHNUNG_rev.00
REVISION		SCALE 1	SHEET 1 OF 1