

# CeilingMountBracket CMB-VA4/TNXCD

## Datasheet.

### Compatible

with all cameras of the ExCam Series with the model-key T08-/T10-VA4/TNXCD.

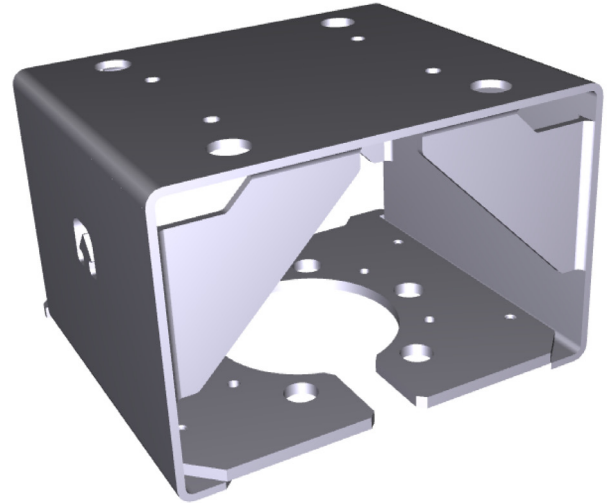
### Data.

#### Mechanical Characteristics

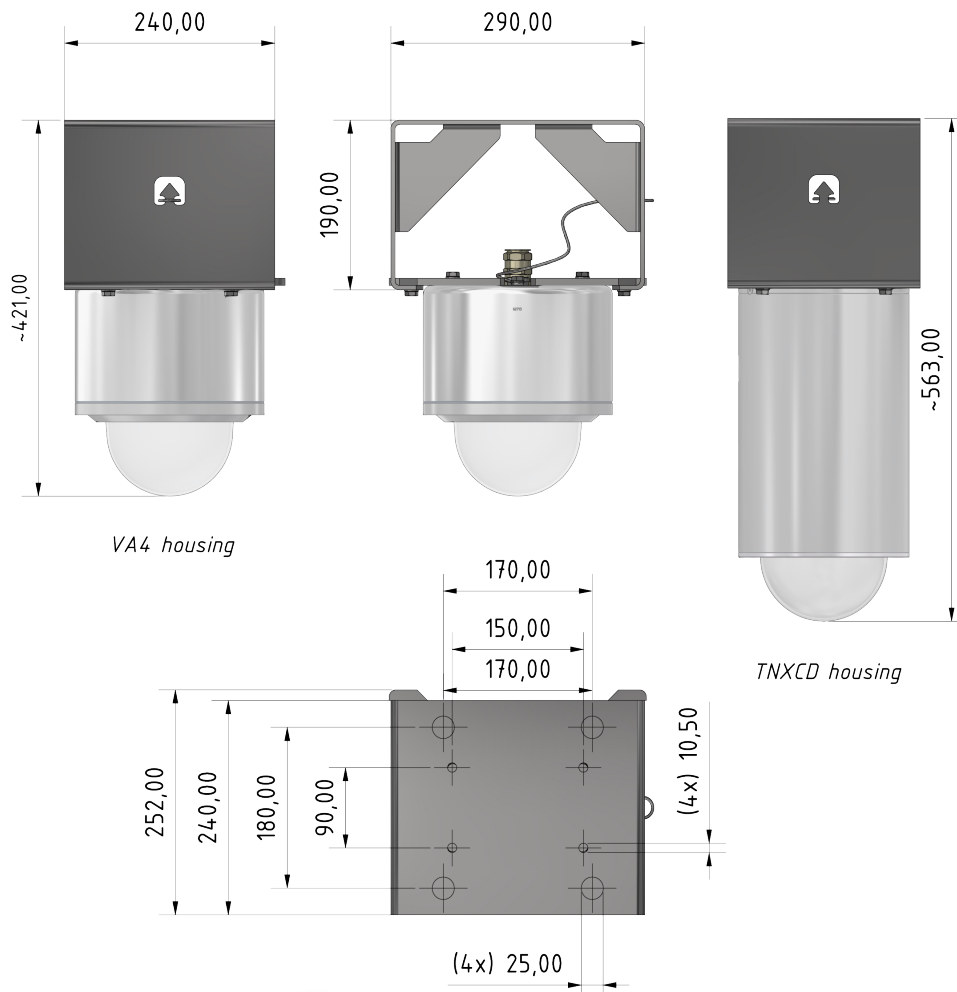
Material:	Stainless steel
Weight:	12.0 kg
Dimensions:	WxHxD 290x190x240
Point load:	50 kg

#### Scope of Delivery

- included
- 4 screws M8x12
  - 5 screws M8x16
  - 9 flat washer M8



### Dimensions [mm].



Schillerstrasse 17  
D-35102 Lohra-Altenvers

info@samcon.eu  
T: +49 6426 9231-0  
F: +49 6426 9231-31