

# SuperClamp SCMB-VA0.x-1.x / VA2.0-2.2

## Datasheet.

### Features.

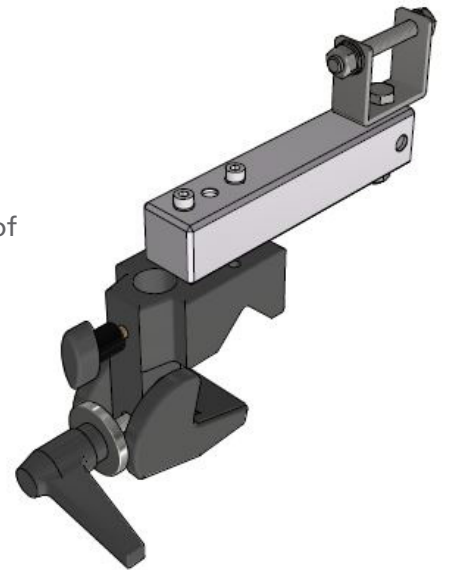
#### Compatible

with all cameras of the ExCam Series

with the model-keys T08-VA0.x/VA1.x and T08-VA2.0-T08-VA2.2

and the RoughCam Series T10.

For easy mounting to tubes, plates or support elements with a diameter of 13mm up to 55mm



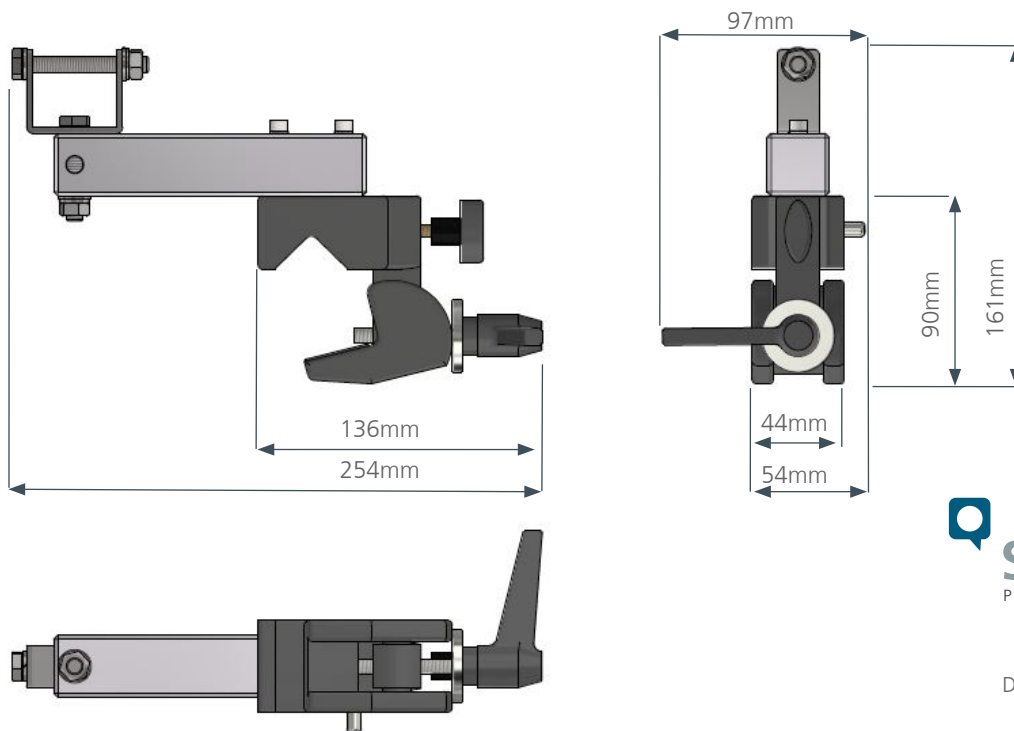
### Data.

#### Mechanical characteristics

Material:	Stainless steel 1.4404, Aluminum
Weight:	0,82 kg
Point load:	15 kg
Dimensions WxHxD [mm]:	254x161x97 (with hinge attachment for VA0.x/VA1.x)

**Scope of delivery** includes mounting material, suitable hinge attachment for VA0.x/VA1.x or VA2.0-VA2.2

### Dimensions [mm].



Schillerstrasse 17  
D-35102 Lohra-Altenvers

info@samcon.eu  
T: +49 6426 9231-0  
F: +49 6426 9231-31