



# SAMCON

Prozessleittechnik GmbH

## Assembly instruction

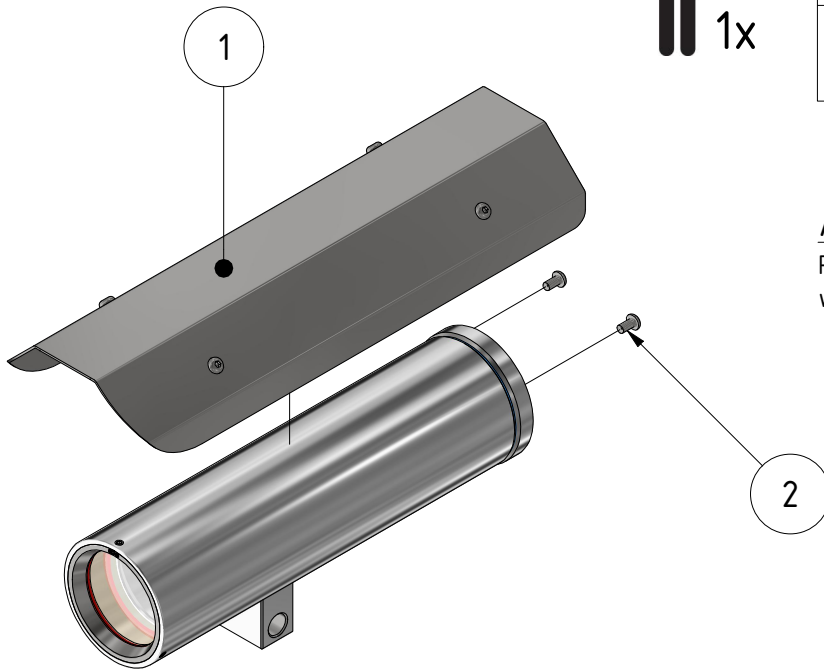
product: WPR-VAo.4  
author: S. Weber  
date: Oct. 23, 2023  
doc ID: 231023-PT95MA-SW-WPR-VAo.4\_assembly  
instruction\_rev.oo.idw  
passing:



# INTRO



What you need:	
Allen wrench	2,0 mm
Tourque-allen wrench	2,0 mm



**ATTENTION:**  
Please be careful when working at heights !



Table of content			
obj.	qty.	part	material
1	1	WPR-VA0.4	stainless steel
2	2	Threaded bolt ISO 7380-1 - M3 x 6	stainless steel

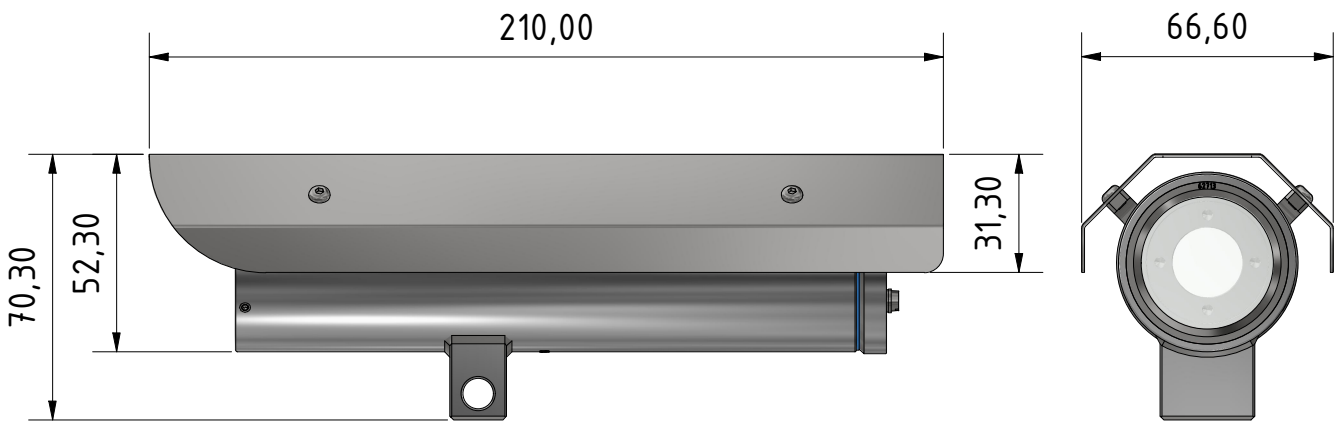
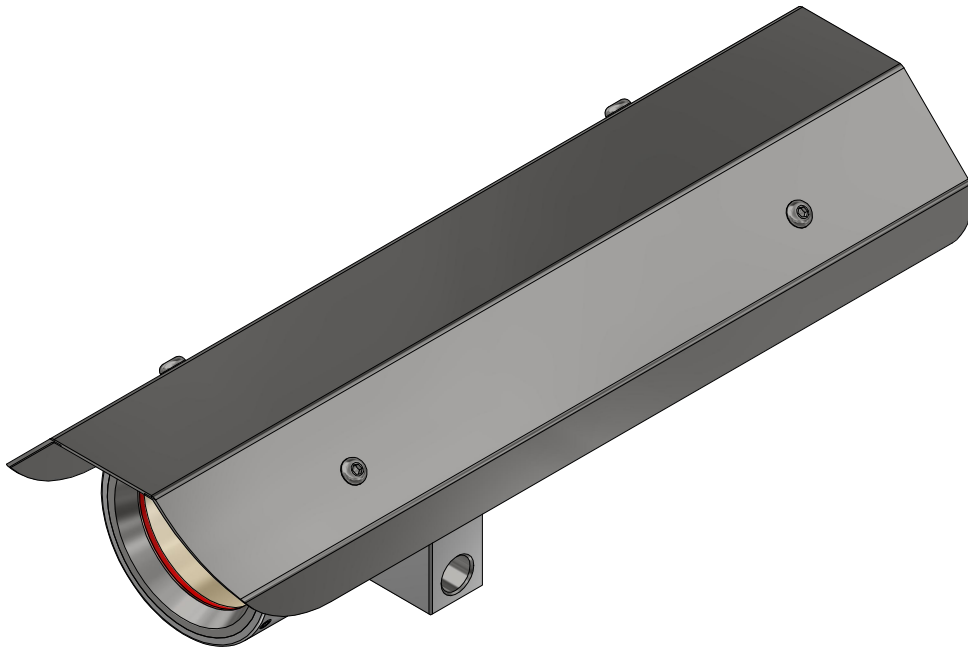
1

fastening: 1,1 Nm



Use Loctite 243 thread lock !

2



Note:  
For more information see  
other assembly instructions!



**SAMCON**

Prozessleittechnik GmbH

