



# SAMCON

Prozessleittechnik GmbH

## Assembly instruction

product: air.Blade-VAo.x

author: S. Weber

date: May 08, 2024

doc ID: 240508-PT95MA-SW-air.Blade-VAo.x\_assembly  
instruction\_rev.00.idw

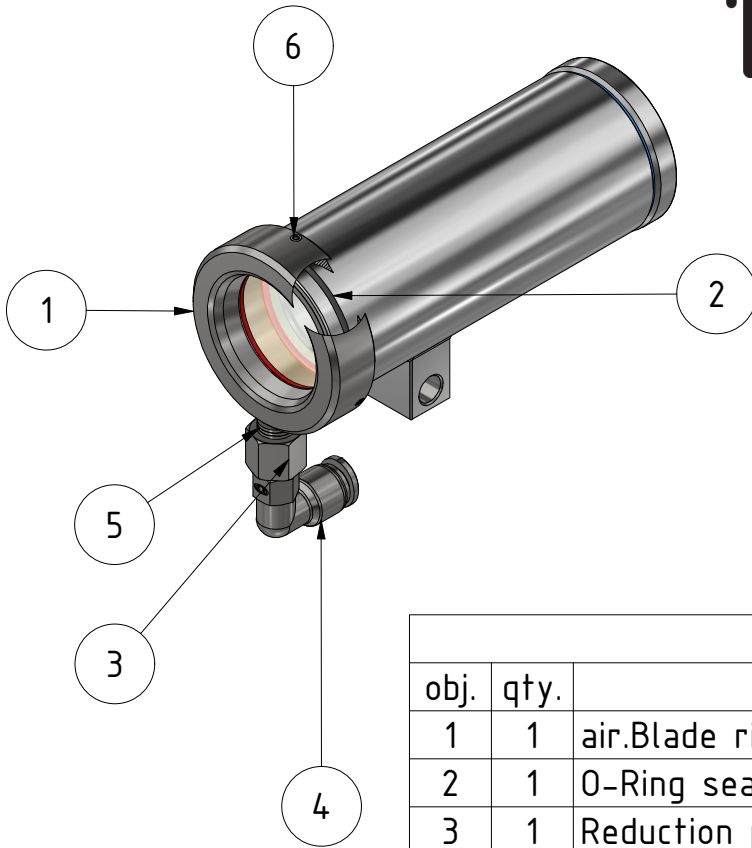
passing:



# INTRO



What you need:	
Allen wrench	1,5 mm
Tourque-allen wrench	1,5 mm



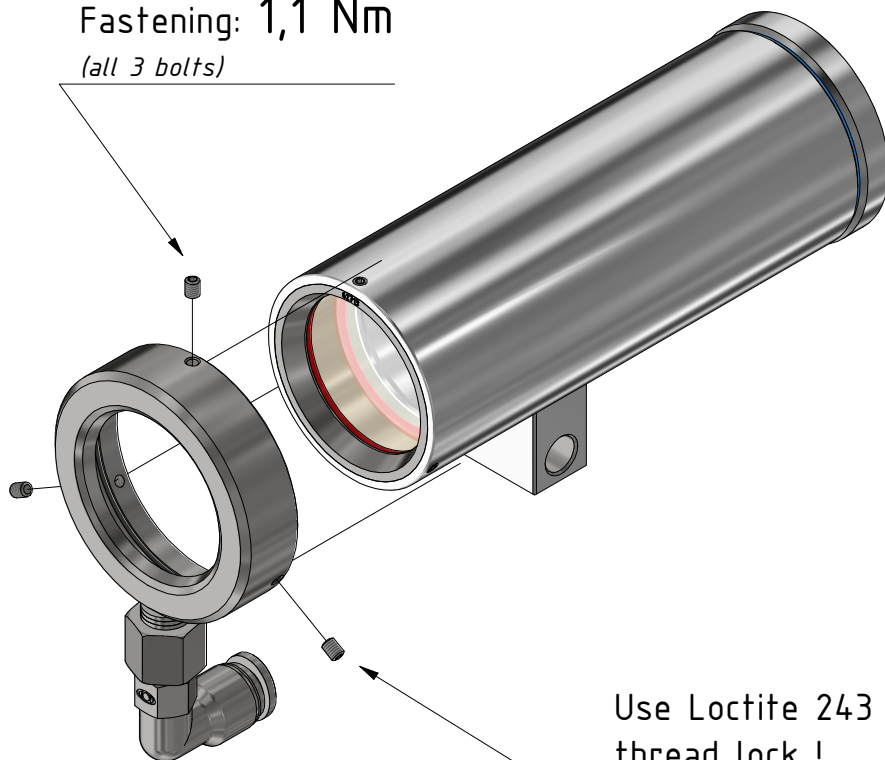
**ATTENTION:**  
Please be careful when working at heights !



Table of content			
obj.	qty.	part	material
1	1	air.Blade ring	Stainless steel
2	1	O-Ring sealing 47x1,50	NBR70
3	1	Reduction part M5 - G1/8	Stainless steel
4	1	Pneumatic plug 8mm	Stainless steel
5	3	Washer DIN 125 - A 5,3	Stainless steel
6	3	Threaded bolt DIN 913 - M3 x 4	Stainless steel

1

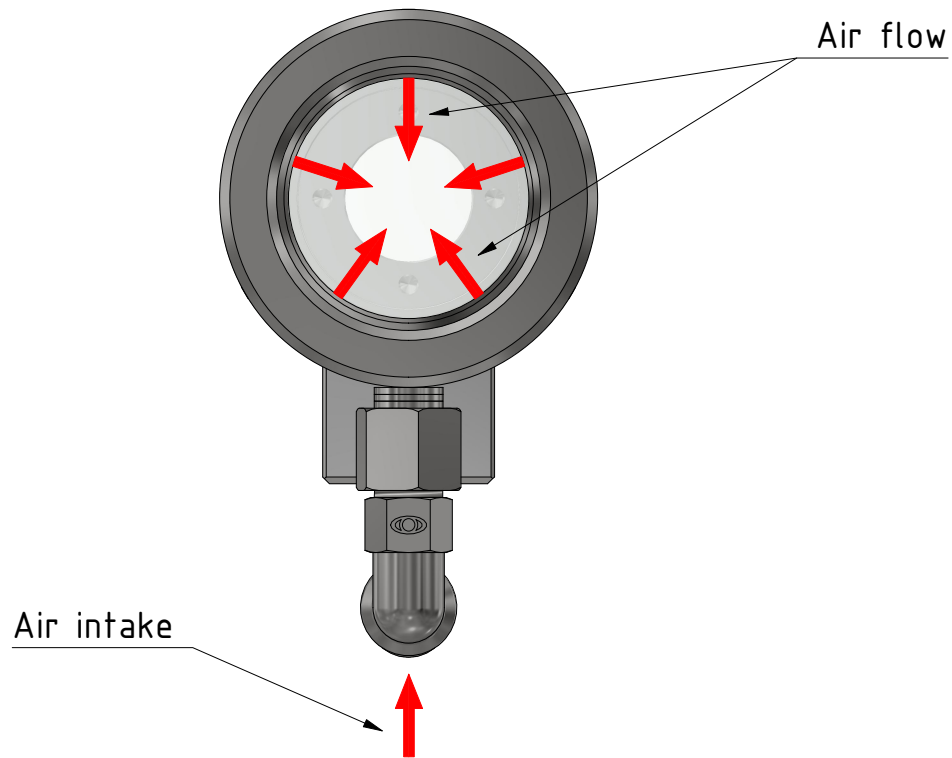
Fastening: **1,1 Nm**  
*(all 3 bolts)*



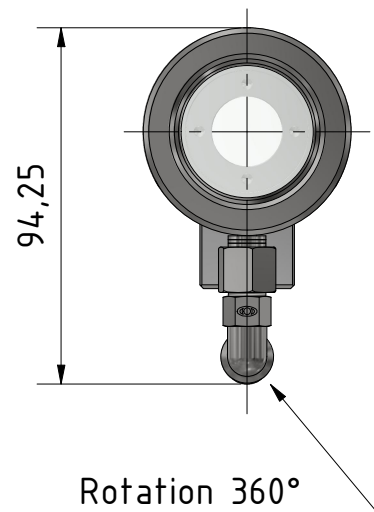
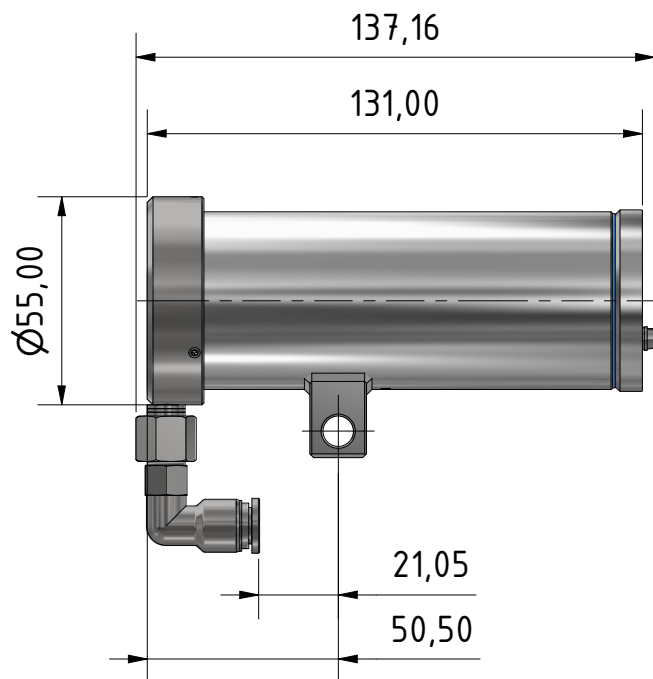
Use Loctite 243  
thread lock !  
*(all 3 bolts)*



2



Dimensions VA0.1.K1.B0R:



Note:

For more information visit  
[www.samcon.eu](http://www.samcon.eu) !



**SAMCON**

Prozessleittechnik GmbH

